

IDRJA

Valvole di ritegno in acciaio inox stampato / Check valves fabricated from pressed stainless steel



Modello / Model

IDRJA

Materiale / Material

Aisi 304 - 316

Tenuta / Seal

NBR, EPDM, FPM, PTFE, FEP

DN

20 – 100

PN

16

Caratteristiche tecniche /

Construction features

- **Lavorazione: acciaio inox stampato** / Manufacturing process: pressed stainless steel
- **Trattamento superficiale sgrassaggio, decapaggio ed elettrolucidatura** / Surface treatment degreasing, pickling and electropolishing
- **Tenuta / Seal ring**
NBR, EPDM, FPM, PTFE o/or FEP
- **Connessioni filettate femmina secondo** / Threaded ends female according to UNI ISO 228/1
- **Saldatura a TIG senza apporto di materiale** / TIG weldings without additional material
- **Pressione di apertura** / Opening pressure
Min. 0,025 – Max. 0,035 bar
- **Test idraulico di tenuta guarnizioni** / Hydraulic test on the seal rings
0.2 bar
- **Pressione nominale di esercizio** / Nominal working pressure
16 bar
- **Temperatura di esercizio** / Working temperature
-25°C – +90°C NBR
-20°C – +110°C EPDM
-20°C – +150°C FPM
-20°C – +200°C PTFE o/or FEP

Certificazioni / Approvals



NSF/ANSI 61

(solo versioni Aisi 316 FPM e 304 EPDM / only Aisi 316 FPM and 304 EPDM types)

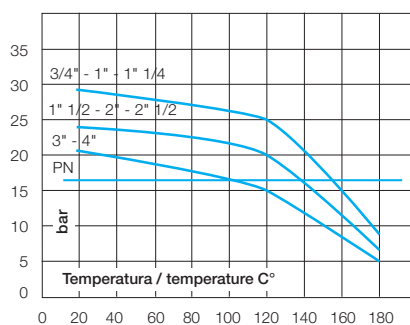


WRAS

(solo versioni Aisi 304 e 316 EPDM / only Aisi 304 and 316 EPDM types)

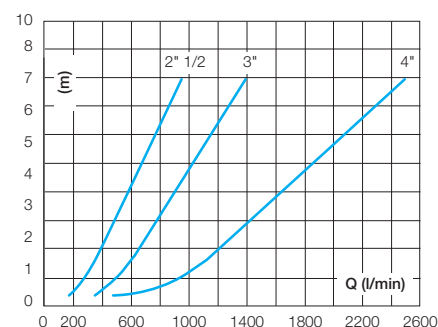
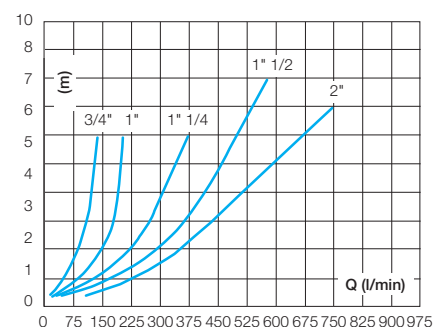
Diagramma pressione temperatura /

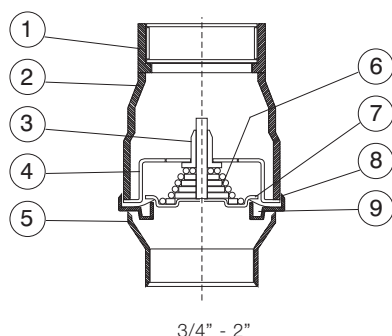
Pressure temperature diagram



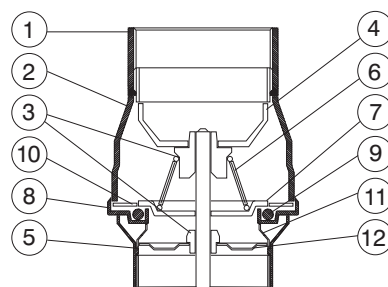
Perdite di carico /

Friction losses diagrams





3/4" - 2"

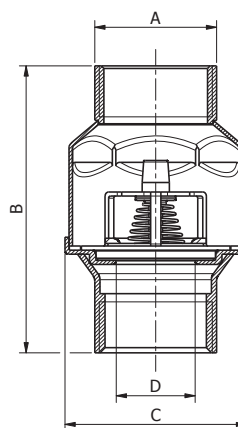


2" 1/2 - 4"

Componenti e materiali / Components and materials

| | Versione Aisi 304 Version Aisi 304 | Versione Aisi 316 Version Aisi 316 |
|---|---------------------------------------|---------------------------------------|
| 1 Manicotto lato mandata / Outlet end | 1.4301 / 1.4304 EN 10088 | 1.4401 / 1.4404 EN 10088 |
| 2 Corpo / Valve | 1.4301 / 1.4304 EN 10088 | 1.4401 / 1.4404 EN 10088 |
| 3 Boccola di guida / Guide bush | PTFE | PTFE |
| 4* Guida otturatore / Flow control disc guide | 1.4301 / 1.4304 EN 10088 | 1.4401 / 1.4404 EN 10088 |
| 5 Manicotto lato aspirazione / Inlet end | 1.4301 / 1.4304 EN 10088 | 1.4401 / 1.4404 EN 10088 |
| 6* Molla / Spring | 1.4301 / 1.4304 EN 10088 | 1.4401 / 1.4404 EN 10088 |
| 7* Otturatore / Flow control disc | 1.4301 / 1.4304 EN 10088 | 1.4401 / 1.4404 EN 10088 |
| 8 Contenitore anello di tenuta / Seal ring housing | 1.4301 / 1.4304 EN 10088 | 1.4401 / 1.4404 EN 10088 |
| 9* Anello di tenuta / Seal ring | NBR, FPM, EPDM | EPDM, FPM, PTFE, FEP |
| 10 Anello ferma tenuta / Seal ring retainer | 1.4301 / 1.4304 EN 10088 | 1.4401 / 1.4404 EN 10088 |
| 11 Supporto contenitore tenuta / Seal ring support | 1.4301 / 1.4304 EN 10088 | 1.4401 / 1.4404 EN 10088 |
| 12 Guida lato aspirazione / Inlet side guide | 1.4301 / 1.4304 EN 10088 | 1.4401 / 1.4404 EN 10088 |

* **Ricambi disponibili solo per versioni** / Spare parts only for versions: 2" 1/2 - 3" - 4"



Dimensioni e pesi / Dimensions and weights

| Codice Code | Misura Size | Materiale Material | Tenuta Seal | DN | PN | Peso in gr. Weight in gr. | KV m ³ /h | Dimensioni in mm Dimensions in mm | | | |
|----------------|----------------|-----------------------|----------------|-----|----|------------------------------------|-------------------------|--------------------------------------|-------|-----|------|
| | | | | | | | | A | B | C | D |
| 900011 | 3/4" | Aisi 304 | NBR | 20 | 16 | 129 | 10,8 | 30 | 67 | 44 | 18,3 |
| 900016 | 1" | | | 25 | 16 | 191 | 18,7 | 35,8 | 83 | 53 | 23,4 |
| 900021 | 1" 1/4 | | | 32 | 16 | 281 | 31,5 | 45 | 97 | 66 | 31,4 |
| 900026 | 1" 1/2 | | | 40 | 16 | 388 | 40,5 | 50,8 | 115 | 78 | 36,8 |
| 900029 | 2" | | | 50 | 16 | 704 | 56 | 63 | 120,5 | 89 | 42,9 |
| 900055 | 2" 1/2 | | | 65 | 16 | 1.425 | 69 | 80 | 142 | 113 | 58,7 |
| 900012 | 3/4" | Aisi 304 | FPM | 20 | 16 | 129 | 10,8 | 30 | 67 | 44 | 18,3 |
| 900017 | 1" | | | 25 | 16 | 191 | 18,7 | 35,8 | 83 | 53 | 23,4 |
| 900022 | 1" 1/4 | | | 32 | 16 | 281 | 31,5 | 45 | 97 | 66 | 31,4 |
| 900027 | 1" 1/2 | | | 40 | 16 | 388 | 40,5 | 50,8 | 115 | 78 | 36,8 |
| 900030 | 2" | | | 50 | 16 | 704 | 56 | 63 | 120,5 | 89 | 42,9 |
| 900057 | 2" 1/2 | | | 65 | 16 | 1.425 | 69 | 80 | 142 | 113 | 58,7 |
| 900402 | 3/4" | Aisi 316 | FPM | 20 | 16 | 129 | 10,8 | 30 | 67 | 44 | 18,3 |
| 900412 | 1" | | | 25 | 16 | 191 | 18,7 | 35,8 | 83 | 53 | 23,4 |
| 900422 | 1" 1/4 | | | 32 | 16 | 281 | 31,5 | 45 | 97 | 66 | 31,4 |
| 900432 | 1" 1/2 | | | 40 | 16 | 388 | 40,5 | 50,8 | 115 | 78 | 36,8 |
| 900442 | 2" | | | 50 | 16 | 704 | 56 | 63 | 120,5 | 89 | 42,9 |
| 900452 | 2" 1/2 | | | 65 | 16 | 1.425 | 69 | 80 | 142 | 113 | 58,7 |
| 900462 | 3" | Aisi 316 | PTFE | 80 | 16 | 2.085 | 99 | 93 | 160 | 132 | 70,3 |
| 900472 | 4" | | | 100 | 16 | 3.415 | 181 | 120 | 191 | 167 | 93,4 |
| 900403 | 3/4" | | | 20 | 16 | 129 | 10,8 | 30 | 74 | 44 | 18,3 |
| 900415 | 1" | | | 25 | 16 | 191 | 18,7 | 35,8 | 90 | 53 | 23,4 |
| 900424 | 1" 1/4 | | | 32 | 16 | 281 | 31,5 | 45 | 101 | 66 | 31,4 |
| 900433 | 1" 1/2 | | | 40 | 16 | 388 | 40,5 | 50,8 | 120 | 78 | 36,8 |
| 900443 | 2" | Aisi 316 | FEP | 50 | 16 | 704 | 56 | 63 | 120,5 | 89 | 42,9 |
| 900455 | 2" 1/2 | | | 65 | 16 | 1.425 | 69 | 80 | 142 | 113 | 58,7 |
| 900465 | 3" | | | 80 | 16 | 2.085 | 99 | 93 | 160 | 132 | 70,3 |
| 900475 | 4" | | | 100 | 16 | 3.415 | 181 | 120 | 191 | 167 | 93,4 |

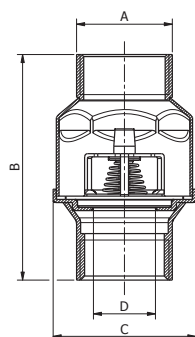
Modello / Model
IDRJA / OR

Materiale / Material
Aisi 304 - 316

Tenuta / Seal
FPM

DN
20 - 32

PN
16



Caratteristiche tecniche / Construction features

- **Adatta ad utilizzo con aria compressa o vuoto in applicazioni non gravose** / For use with compressed air or vacuum in low impact applications
- **Otturatore: acciaio inossidabile Aisi 316 con saldatura rinforzata tra perno e disco** / Flow control disc: stainless steel Aisi 316 with reinforced welding between guiding pin and disc
- **Conessioni filettate femmina secondo** / Threaded ends female according to UNI ISO 228/1

- **Certificazioni / Approvals**



NSF/ANSI 61

(solo versione Aisi 316 FPM / only Aisi 316 FPM type)

Dimensioni e pesi / Dimensions and weights

| Codice Code | Misura Size | Materiale Material | DN | PN | Peso in gr. Weight in gr. | KV m³/h | Dimensioni in mm Dimensions in mm | | | |
|----------------|----------------|-----------------------|----|----|------------------------------------|------------|--------------------------------------|----|----|------|
| | | | | | | | A | B | C | D |
| 900012R | 3/4" | Aisi 304 | 20 | 16 | 129 | 10,8 | 30 | 67 | 44 | 18,3 |
| 900017R | 1" | | 25 | 16 | 191 | 18,7 | 35,8 | 83 | 53 | 23,4 |
| 900022R | 1" 1/4 | | 32 | 16 | 281 | 31,5 | 45 | 97 | 66 | 31,4 |
| 900402R | 3/4" | Aisi 316 | 20 | 16 | 129 | 10,8 | 30 | 67 | 44 | 18,3 |
| 900412R | 1" | | 25 | 16 | 191 | 18,7 | 35,8 | 83 | 53 | 23,4 |
| 900422R | 1" 1/4 | | 32 | 16 | 281 | 31,5 | 45 | 97 | 66 | 31,4 |

Modello / Model
IDRJA / TYPE EA

Materiale / Material
Aisi 304

Tenuta / Seal
FPM

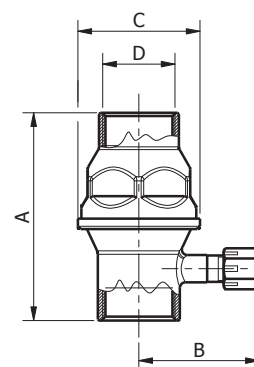
DN
20 - 50

PN
16



Caratteristiche tecniche / Construction features

- **Versione antinquinamento controllabile** / Antipollution checkable version
- **Conforme a** / In conformity with UNI EN 1717 (tipo / type EA)
- **Foro di ispezione: filettato 1/8" gas maschio su lato aspirazione** / Inspection hole: threaded 1/8" male on suction side
- **Conessioni filettate femmina secondo** / Threaded ends female according to UNI ISO 228/1



Dimensioni e pesi / Dimensions and weights

| Codice Code | Misura Size | DN | PN | Peso in gr. Weight in gr. | KV m³/h | Dimensioni in mm Dimensions in mm | | | |
|----------------|----------------|----|----|------------------------------------|------------|--------------------------------------|----|----|----------|
| | | | | | | A | B | C | D |
| 900012T | 3/4" | 20 | 16 | 170 | 10,8 | 77 | 42 | 44 | 3/4" F |
| 900017T | 1" | 25 | 16 | 198 | 18,7 | 94 | 45 | 53 | 1" F |
| 900022T | 1" 1/4 | 32 | 16 | 300 | 31,5 | 107 | 49 | 66 | 1" 1/4 F |
| 900027T | 1" 1/2 | 40 | 16 | 443 | 40,5 | 125 | 52 | 78 | 1" 1/2 F |
| 900030T | 2" | 50 | 16 | 672 | 56 | 125 | 58 | 90 | 2" F |

Modello / Model
IDRJA / DW

Materiale / Material
Aisi 304 - 316

Tenuta / Seal
EPDM

DN
20 – 100

PN
16

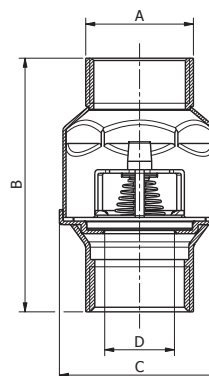


Caratteristiche tecniche / Construction features

- **Per acqua potabile / For drinkable water**
- **Conforme a / In conformity with**
UNI EN 1074-3
- **Temperatura di esercizio / Working**
temperature
-20°C – +110°C
- **Conessioni filettate femmina secondo /**
Threaded ends female according to
UNI ISO 228/1
- **Certificazioni / Approvals**



(solo versione Aisi 304 /
only Aisi 304 version)



Dimensioni e pesi / Dimensions and weights

| Codice Code | Misura Size | Materiale Material | DN | PN | Peso in gr. Weight in gr. | KV m ³ /h | Dimensioni in mm Dimensions in mm | | | |
|----------------|----------------|-----------------------|-----|----|------------------------------------|-------------------------|--------------------------------------|-------|-----|------|
| | | | | | | | A | B | C | D |
| 900010A | 3/4" | Aisi 304 | 20 | 16 | 129 | 10,8 | 30 | 67 | 44 | 18,3 |
| 900015A | 1" | | 25 | 16 | 191 | 18,7 | 35,8 | 83 | 53 | 23,4 |
| 900020A | 1" 1/4 | | 32 | 16 | 281 | 31,5 | 45 | 97 | 66 | 31,4 |
| 900025A | 1" 1/2 | | 40 | 16 | 388 | 40,5 | 50,8 | 115 | 78 | 36,8 |
| 900028A | 2" | | 50 | 16 | 704 | 56 | 63 | 120,5 | 89 | 42,9 |
| 900056A | 2" 1/2 | | 65 | 16 | 1.425 | 69 | 80 | 142 | 113 | 58,7 |
| 900400A | 3/4" | Aisi 316 | 20 | 16 | 129 | 10,8 | 30 | 67 | 44 | 18,3 |
| 900410A | 1" | | 25 | 16 | 191 | 18,7 | 35,8 | 83 | 53 | 23,4 |
| 900420A | 1" 1/4 | | 32 | 16 | 281 | 31,5 | 45 | 97 | 66 | 31,4 |
| 900430A | 1" 1/2 | | 40 | 16 | 388 | 40,5 | 50,8 | 115 | 78 | 36,8 |
| 900440A | 2" | | 50 | 16 | 704 | 56 | 63 | 120,5 | 89 | 42,9 |
| 900451A | 2" 1/2 | | 65 | 16 | 1.425 | 69 | 80 | 142 | 113 | 58,7 |
| 900461A | 3" | | 80 | 16 | 2.085 | 99 | 93 | 160 | 132 | 70,3 |
| 900471A | 4" | | 100 | 16 | 3.415 | 181 | 120 | 191 | 167 | 93,4 |

Modello / Model
IDRJA / MF

Materiale / Material
Aisi 304

Tenuta / Seal
FPM

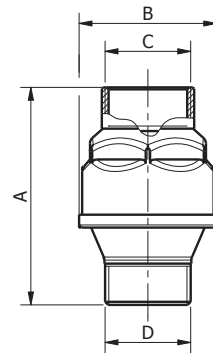
DN
25 – 50

PN
16



Caratteristiche tecniche / Construction features

- **Maschio – femmina / Male – female**
- **Connessione lato aspirazione filettata maschio secondo / Threaded ends on suction side male according to UNI ISO 228/1**
- **Connessione lato mandata filettata femmina secondo / Threaded ends on delivery side female according to UNI ISO 228/1**



Dimensioni e pesi / Dimensions and weights

| Codice Code | Misura Size | DN | PN | Peso in gr. Weight in gr. | KV m ³ /h | Dimensioni in mm Dimensions in mm | | | |
|----------------|----------------|----|----|------------------------------------|-------------------------|--------------------------------------|----|----------|----------|
| | | | | | | A | B | C | D |
| 900017MF | 1" | 25 | 16 | 167 | 18,7 | 76 | 53 | 1" F | 1" M |
| 900022MF | 1" 1/4 | 32 | 16 | 261 | 31,5 | 99 | 66 | 1" 1/4 F | 1" M |
| 900027MF | 1" 1/2 | 40 | 16 | 383 | 40,5 | 115 | 78 | 1" 1/2 F | 1" 1/2 M |
| 900030MF | 2" | 50 | 16 | 596 | 56 | 123 | 90 | 2" F | 2" M |

Modello / Model
IDRJA / MFA

Materiale / Material
Aisi 304

Tenuta / Seal
EPDM

DN
25 – 50

PN
16



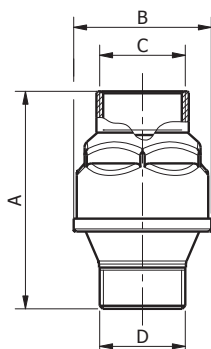
Caratteristiche tecniche / Construction features

- **Maschio – femmina / Male - female**
- **Connessione lato aspirazione filettata maschio / Threaded ends on suction side male UNI ISO 228/1**
- **Connessione lato mandata filettata femmina / Threaded ends on delivery side female UNI ISO 228/1**

- **Certificazioni / Approvals**



Dimensioni e pesi / Dimensions and weights



| Codice Code | Misura Size | DN | PN | Peso in gr. Weight in gr. | KV m ³ /h | Dimensioni in mm Dimensions in mm | | | |
|----------------|----------------|----|----|------------------------------------|-------------------------|--------------------------------------|----|----------|----------|
| | | | | | | A | B | C | D |
| 900017MFA | 1" | 25 | 16 | 167 | 18,7 | 76 | 53 | 1" F | 1" M |
| 900022MFA | 1" 1/4 | 32 | 16 | 261 | 31,5 | 99 | 66 | 1" 1/4 F | 1" M |
| 900027MFA | 1" 1/2 | 40 | 16 | 383 | 40,5 | 115 | 78 | 1" 1/2 F | 1" 1/2 M |
| 900030MFA | 2" | 50 | 16 | 596 | 56 | 123 | 90 | 2" F | 2" M |

Modello / Model
IDRJA / NPT

Materiale / Material
Aisi 304 - 316

Tenuta / Seal
FPM

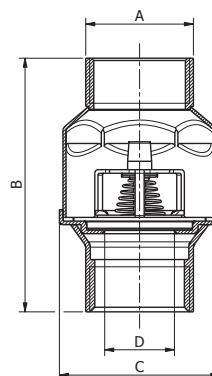
DN
20 – 50

PN
16



Caratteristiche tecniche / Construction features

- **Versione Aisi 316: otturatore con saldatura rinforzata tra perno e disco. Adatta ad uso con aria compressa in applicazioni non gravose** / Aisi 316 Version: flow control disc with reinforced welding between guiding pin and disc for use with compressed air in low impact applications
- **Conessioni filettate femmina gas coniche NPT secondo / Female threaded ends NPT according to ANSI B 1.20.1**
- **Certificazioni / Approvals**
 NSF/ANSI 61
 (solo versione Aisi 316 FPM / only Aisi 316 FPM type)



Dimensioni e pesi / Dimensions and weights

| Codice Code | Misura Size | Materiale Material | DN | PN | Peso in gr. Weight in gr. | KV m ³ /h | Dimensioni in mm Dimensions in mm | | | |
|----------------|----------------|-----------------------|----|----|------------------------------------|-------------------------|--------------------------------------|-------|----|------|
| | | | | | | | A | B | C | D |
| 900014 | 3/4" | Aisi 304 | 20 | 16 | 129 | 10,8 | 30 | 67 | 44 | 18,3 |
| 900019 | 1" | | 25 | 16 | 191 | 18,7 | 35,8 | 83 | 53 | 23,4 |
| 900022NPT | 1" 1/4 | | 32 | 16 | 281 | 31,5 | 45 | 97 | 66 | 31,4 |
| 900027NPT | 1" 1/2 | | 40 | 16 | 388 | 40,5 | 50,8 | 115 | 78 | 36,8 |
| 900030NPT | 2" | | 50 | 16 | 704 | 56 | 63 | 120,5 | 89 | 42,9 |
| 900402NPTR | 3/4" | Aisi 316 | 20 | 16 | 129 | 10,8 | 30 | 67 | 44 | 18,3 |
| 900412NPTR | 1" | | 25 | 16 | 191 | 18,7 | 35,8 | 83 | 53 | 23,4 |
| 900422NPTR | 1" 1/4 | | 32 | 16 | 281 | 31,5 | 45 | 97 | 66 | 31,4 |
| 900432NPTR | 1" 1/2 | | 40 | 16 | 388 | 40,5 | 50,8 | 115 | 78 | 36,8 |
| 900442NPTR | 2" | | 50 | 16 | 704 | 56 | 63 | 120,5 | 89 | 42,9 |

Modello / Model
IDRJA / FM +

Materiale / Material
Aisi 304

Tenuta / Seal
NBR

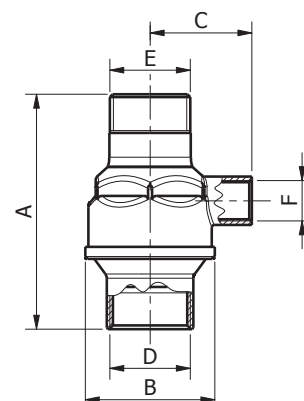
DN
25 – 40

PN
16



Caratteristiche tecniche / Construction features

- **Femmina-maschio con attacco lato mandata** / Female-male with connection on delivery side
- **Connessioni filettate secondo** / Threaded ends according to UNI ISO 228/1



Dimensioni e pesi / Dimensions and weights

| Codice Code | Misura Size | DN | PN | Peso in gr. Weight in gr. | KV m³/h | Dimensioni in mm Dimensions in mm | | | | | |
|----------------|----------------|----|----|------------------------------------|------------|--------------------------------------|----|----|---------|---------|--------|
| | | | | | | A | B | C | D | E | F |
| 900016A | 1" | 25 | 16 | 200 | 18,7 | 97 | 53 | 42 | 1" F | 1" M | 3/8" F |
| 900021A | 1" 1/4 | 32 | 16 | 305 | 31,5 | 113 | 66 | 48 | 1"1/4 F | 1"1/4 M | 3/8" F |
| 900026A | 1" 1/2 | 40 | 16 | 430 | 40,5 | 130 | 78 | 54 | 1"1/2 F | 1"1/2 M | 3/8" F |
| 900029A | 2" | 50 | 16 | 660 | 56 | 133 | 90 | 60 | 2" F | 2" M | 3/8" F |

Modello / Model
IDRJA / VCT

Materiale / Material
Aisi 304

Tenuta / Seal
FPM

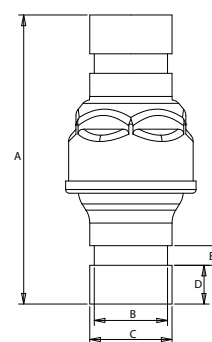
DN
25 – 50

PN
16



Caratteristiche tecniche / Construction features

- **Connessioni tipo** / Ends type Victaulic®



Dimensioni e pesi / Dimensions and weights

| Codice Code | Misura Size | DN | PN | Peso in gr. Weight in gr. | KV m³/h | Dimensioni in mm Dimensions in mm | | | | |
|----------------|----------------|----|----|------------------------------------|------------|--------------------------------------|------|------|------|---|
| | | | | | | A | B | C | D | E |
| 900017VCT | 1" | 25 | 25 | 210 | 18,7 | 120 | 30 | 33.7 | 15.9 | 8 |
| 900022VCT | 1" 1/4 | 32 | 32 | 310 | 31,5 | 126 | 38.8 | 42.4 | 15.9 | 8 |
| 900027VCT | 1" 1/2 | 40 | 40 | 430 | 40,5 | 140.7 | 44.9 | 48.3 | 15.9 | 8 |
| 900030VCT | 2" | 50 | 50 | 775 | 56 | 160.9 | 57 | 60.3 | 15.9 | 8 |

Modello / Model

IDRJA / FLANGIATA

Materiale / Material

Aisi 304 - 316

Tenuta / Seal

FPM

DN

50 – 100

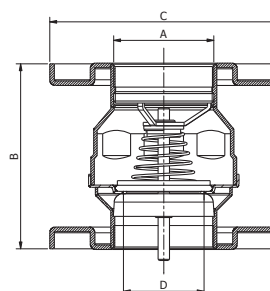
PN

16



Caratteristiche tecniche / Construction features

- **Connessioni flangiate: flange in acciaio inox stampato con foratura secondo /**
Flanged ends: flanges fabricated from pressed stainless steel with holes according to UNI EN 1092-1 PN 16



Dimensioni e pesi / Dimensions and weights

| Codice Code | Materiale Material | DN | PN | Peso in gr. Weight in gr. | KV m ³ /h | Dimensioni in mm Dimensions in mm | | | | Flange Flanges | |
|----------------|-----------------------|-----|----|------------------------------------|-------------------------|--------------------------------------|-----|-----|------|---------------------|---------------------------|
| | | | | | | A | B | C | D | N° fori N. holes | Diam. fori Diam. holes |
| 900350 | Aisi 304 | 50 | 16 | 1.950 | 56 | 64 | 123 | 165 | 42,9 | 4 | 18 |
| 900360 | | 65 | 16 | 3.245 | 69 | 80 | 145 | 185 | 58,7 | 4 | 18 |
| 900355 | Aisi 316 | 50 | 16 | 1.950 | 56 | 64 | 123 | 165 | 42,9 | 4 | 18 |
| 900365 | | 65 | 16 | 3.245 | 69 | 80 | 145 | 185 | 58,7 | 4 | 18 |
| 900375 | | 80 | 16 | 4.135 | 56 | 93 | 164 | 200 | 70,4 | 8 | 18 |
| 900385 | | 100 | 16 | 6.685 | 69 | 120 | 196 | 225 | 93,4 | 8 | 18 |

Modello / Model

IDRJA / DI FONDO

Materiale / Material

Aisi 304 - 316

Tenuta / Seal

FPM

DN

50 – 100

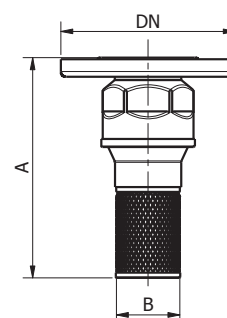
PN

16



Caratteristiche tecniche / Construction features

- **Connessioni flangiate: flange in acciaio inox stampato con foratura secondo /**
Flanged ends: flanges fabricated from pressed stainless steel with holes according to UNI EN 1092-1 PN 16



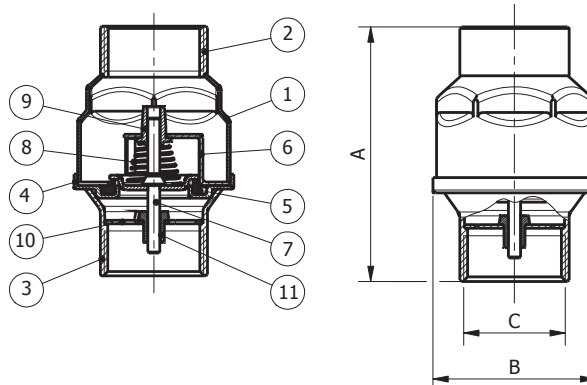
Dimensioni e pesi / Dimensions and weights

| Codice Code | Misura Size | Materiale Material | DN | PN | Peso in gr. Weight in gr. | KV m ³ /h | Dimensioni in mm Dimensions in mm | | |
|----------------|----------------|-----------------------|-----|----|------------------------------------|-------------------------|--------------------------------------|-----|----------------------|
| | | | | | | | A | B | Ø foro Ø net hole |
| 900350F | 2" | Aisi 304 | 50 | 16 | 1.453 | 56 | 208 | 60 | 1 |
| 900360F | 2" 1/2 | | 65 | 16 | 2.242 | 69 | 235 | 79 | 1.8 |
| 900355F | 2" | Aisi 316 | 50 | 16 | 1.453 | 56 | 208 | 60 | 1 |
| 900365F | 2" 1/2 | | 65 | 16 | 2.242 | 69 | 235 | 79 | 1.8 |
| 900375F | 3" | | 80 | 16 | 2.950 | 99 | 266 | 92 | 1.8 |
| 900385F | 4" | | 100 | 16 | 5.012 | 181 | 321 | 115 | 1.8 |

* Misure flangia: vedi tabella superiore / Flange dimensions: see above table

IDRJA / AC

Valvole di ritegno per utilizzi gravosi e aria compressa /
Check valves for heavy duty use and compressed air



Modello / Model
IDRJA / AC

Materiale / Material
Aisi 316

Tenuta / Seal
FPM

DN
20 – 40

PN
16

Caratteristiche tecniche /

Construction features

- **Usò con aria compressa /**
Compressed air systems
- **Otturatore rinforzato e con doppia guida /**
Doubled guided reinforced flow control disc
- **Adatta alle sollecitazioni continue /**
Suited for heavy-duty use
- **Trattamento superficiale sgrassaggio, decapaggio ed elettrolucidatura /**
Surface treatment degreasing, pickling and electropolishing
- **Connessioni filettate femmina secondo /**
Threaded ends female according to UNI ISO 228/1
- **Pressione nominale di esercizio /**
Nominal working pressure
16 bar
- **Pressione di apertura /** Opening pressure
Min. 0,025 – Max. 0,035 bar
- **Temperatura di esercizio /** Working temperature
-20°C – +150°C FPM

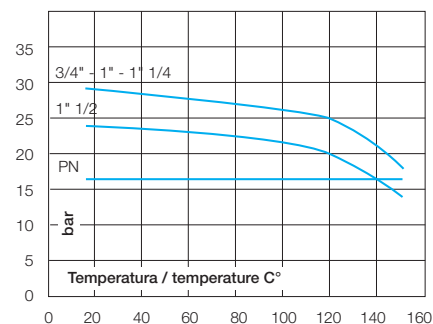
Componenti e materiali /

Components and materials

| | | |
|-----------|---|-----------------|
| 1 | Corpo / Body | 1.4401 |
| | | 1.4404 EN 10088 |
| 2 | Manicotto lato mandata / Outlet end | 1.4401 |
| | | 1.4404 EN 10088 |
| 3 | Manicotto lato aspirazione / Inlet end | 1.4401 |
| | | 1.4404 EN 10088 |
| 4 | Contentore anello tenuta / Seal ring housing | 1.4401 |
| | | 1.4404 EN 10088 |
| 5 | Anello di tenuta / Seal ring | FPM |
| 6 | Guida otturatore / Flow control disc guide | 1.4401 |
| | | 1.4404 EN 10088 |
| 7 | Otturatore / Flow control disc | 1.4401 |
| | | 1.4404 EN 10088 |
| 8 | Molla / Spring | 1.4401 |
| | | 1.4404 EN 10088 |
| 9 | Boccola guida superiore / Upper guide bush | PTFE |
| | | |
| 10 | Supporto boccola inferiore / Lower bush support | 1.4401 |
| | | 1.4404 EN 10088 |
| 11 | Boccola inferiore / Lower bush | PTFE |
| | | |

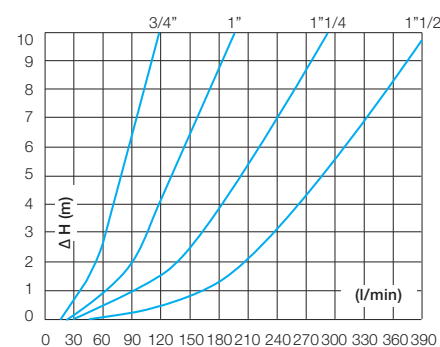
Diagramma pressione temperatura /

Pressure temperature diagram



Perdite di carico /

Friction losses diagrams



Dimensioni e pesi /

Dimensions and weights

| Codice Code | Misura Size | DN | Peso in gr. Weight in gr. | KV m ³ /h | Dimensioni in mm Dimensions in mm | | |
|----------------|----------------|----|------------------------------------|-------------------------|--------------------------------------|----|---------|
| | | | | | A | B | C |
| 900402AC | 3/4" | 20 | 140 | 7,05 | 67 | 44 | 3/4" F |
| 900412AC | 1" | 25 | 170 | 11,45 | 83 | 53 | 1" F |
| 900422AC | 1" 1/4 | 32 | 285 | 16,54 | 97 | 66 | 1"1/4 F |
| 900432AC | 1" 1/2 | 40 | 410 | 24,12 | 115 | 78 | 1"1/2 F |