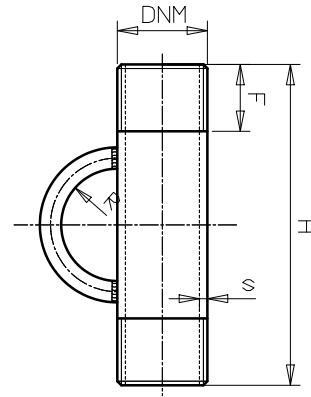


BARILOTTI / EXTENSION SCREWS

Con gancio per pompe
sommerse / With hook for
submersible pumps



Modello / Model

CON GANCIO / WITH HOOK

Materiale / Material

Aisi 304

DN

25 – 80

PN

25

Caratteristiche tecniche / Construction features

- **Connessioni filettate gas maschio secondo** / Threaded ends gas male according to UNI EN ISO 228/1
- **Gancio saldato a TIG** / Hook welded with TIG method
- **Ideali per pompe sommerse** / Suitable for submersible pumps

Componenti e materiali / Components and materials

Materiale /
Material

Acciaio inox Aisi
304 / Stainless
steel Aisi 304

**Su richiesta /
On request**

Con 2 ganci / With 2 hooks

Dimensioni e pesi / Dimensions and weights

Codice Code	DNM	Peso in gr. Weight in gr.	Dimensioni in mm Dimensions in mm			
			H	R	F	s
999999918	1" M	245	120	21	25	3
999999908	1" 1/4 M	380	150	21	25	3
999999919	1" 1/2 M	435	150	21	25	3
999999909	2" M	700	200	30	25	3
999999906	2"1/2 M	1.250	250	30	25	4
999999907	3" M	1.810	250	30	30	4