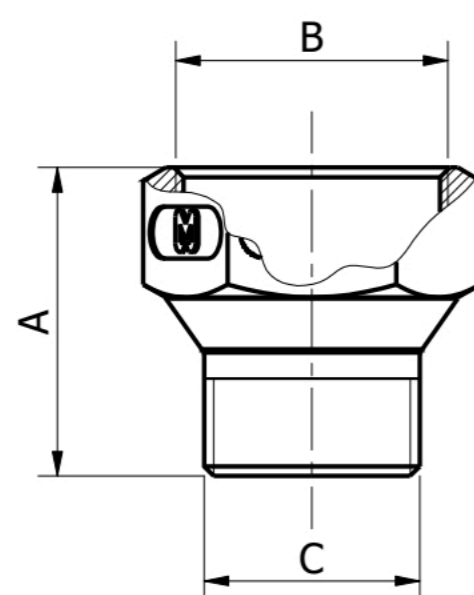


Modello / Model**RACCORDO MF / MF COUPLING****Materiale** / Material

Aisi 316

**Caratteristiche tecniche /**

Construction features

- **Raccorderia filettata microfusa** / Microcasted threaded fittings
- **Temperatura di funzionamento** / Working temperature
-20°C – +180°C
- **Pressione massima** / Max. working pressure
20 bar fino a / up to 40°C

Dimensioni e pesi /

Dimensions and weights

Codice Code	Misura Size	Peso in gr. Weight in gr.	Dimensioni in mm Dimensions in mm		
			A	B	C
902087M316	3/4" - 1"	85	44	1" G	3/4" R
902088M316	1" - 1"1/4	140	47.5	1"1/4 G	1" R